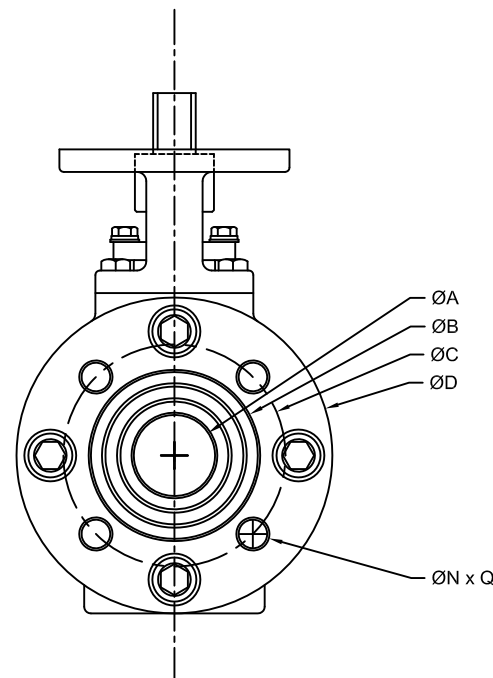
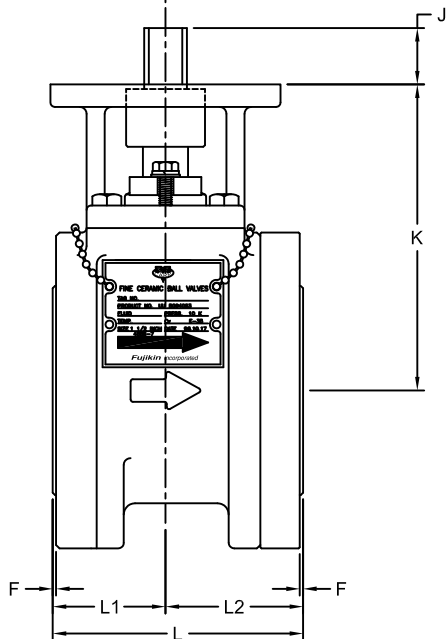
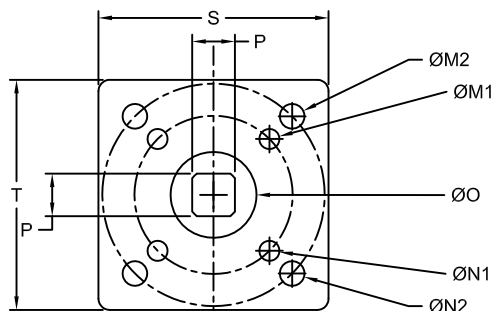


DWG. NO.	C24307/9			REV.	B
REVISIONS					
SYM.	DESCRIPTION	DATE	BY		
A	FOR REVIEW ONLY	10/18/99	DLT		
B	Mod 6"/8" coupling eq. dim	02/27/07	DLT		



Arrow cast on valve housing indicates proper direction of media flow.

Dimensions in inches

Valve Size	ØA	ØB	ØC	ØD	F	J	K	S	T	L	L1	L2	ØM1	ØM2	ØN1	ØN2	ØO	P	Q (QTY)	ØN
1/2"	0.47	1.57	2.38	3.74	0.04	0.79	3.35	2.60	2.60	2.80	1.30	1.50	0.35	0.35	1.97	2.76	0.94	0.431	4	UNC 1/2"
3/4"	0.67	1.89	2.75	3.94	0.04	0.83	3.46	2.60	2.60	3.13	1.38	1.75	0.35	0.35	1.97	2.76	0.94	0.549	4	UNC 1/2"
1"	0.91	2.20	3.12	4.92	0.06	0.87	4.72	2.60	2.60	3.35	1.54	1.81	0.35	0.35	1.97	2.76	1.18	0.549	4	UNC 1/2"
1 1/2"	1.42	2.99	3.88	5.51	0.06	1.00	5.31	3.94	3.94	4.37	1.97	2.40	0.35	0.43	2.76	4.02	1.50	0.746	4	UNC 1/2"
2"	1.73	3.70	4.75	6.10	0.06	1.00	5.59	3.94	3.94	4.72	2.24	2.48	0.35	0.43	2.76	4.02	1.50	0.746	4	UNC 5/8"
2 1/2"	2.20	4.09	5.51	6.89	0.06	0.91	6.42	4.57	4.57	5.51	2.64	2.87	0.35	0.43	2.76	4.02	2.17	0.864	4	UNC 5/8"
3"	2.83	4.88	6.00	7.83	0.06	1.00	7.09	3.94	4.57	6.48	3.15	3.33	0.35	0.43	2.76	4.02	2.36	0.864	4	UNC 5/8"
4"	3.50	5.83	7.50	9.02	0.06	1.30	7.87	3.94	5.51	7.62	3.74	3.88	0.35	0.43	2.76	4.02	2.56	1.059	8	UNC 5/8"
6"	5.28	8.35	9.50	12.20	0.10	1.38	10.24	5.51	6.30	9.84	4.78	5.06	0.43	0.67	4.02	5.51	3.15	1.457	8	UNC 3/4"
8"	6.30	10.24	11.75	14.17	0.10	1.38	11.42	5.51	7.09	11.22	5.51	5.71	0.67	0.71	4.02	5.51	3.93	1.457	8	UNC 3/4"

**COSMIX BALL VALVE SERIES**  
 Dimensional Drawing for 1/2" to 8"  
 Cosmix Ball Valves

SCALE: None    CAD FILE: ESX and EWX.DWG    DRAWN BY: DLT  
 DATE: 10/18/99    REVISED: 02/27/07

**Fujikin of America, Inc.**    Tel: (201)641-1119  
 4 Aisan Way, Little Ferry, NJ 07643    Fax: (201)641-1137  
 ceramic@fujikin.com

THIS DRAWING IS THE PROPERTY OF FUJIKIN OF AMERICA, INC. THE INFORMATION CONTAINED HEREON IS CONFIDENTIAL AND MAY NOT BE REPRODUCED OR COMMUNICATED TO THIRD PARTIES WITHOUT PRIOR WRITTEN PERMISSION.

DRAWING NUMBER: C24307/9    MODEL NUMBER: CBV3-2150-ExD~Q