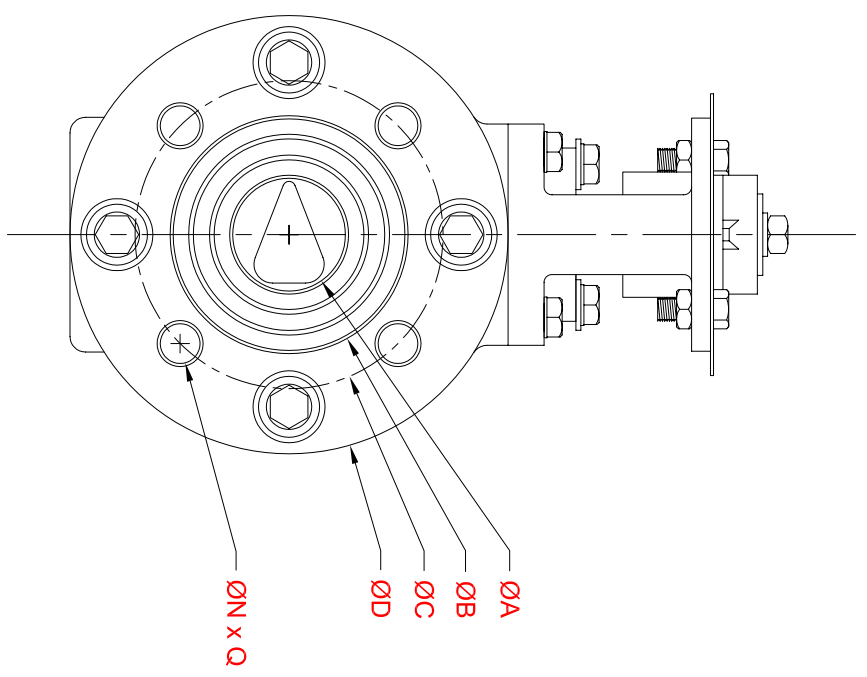
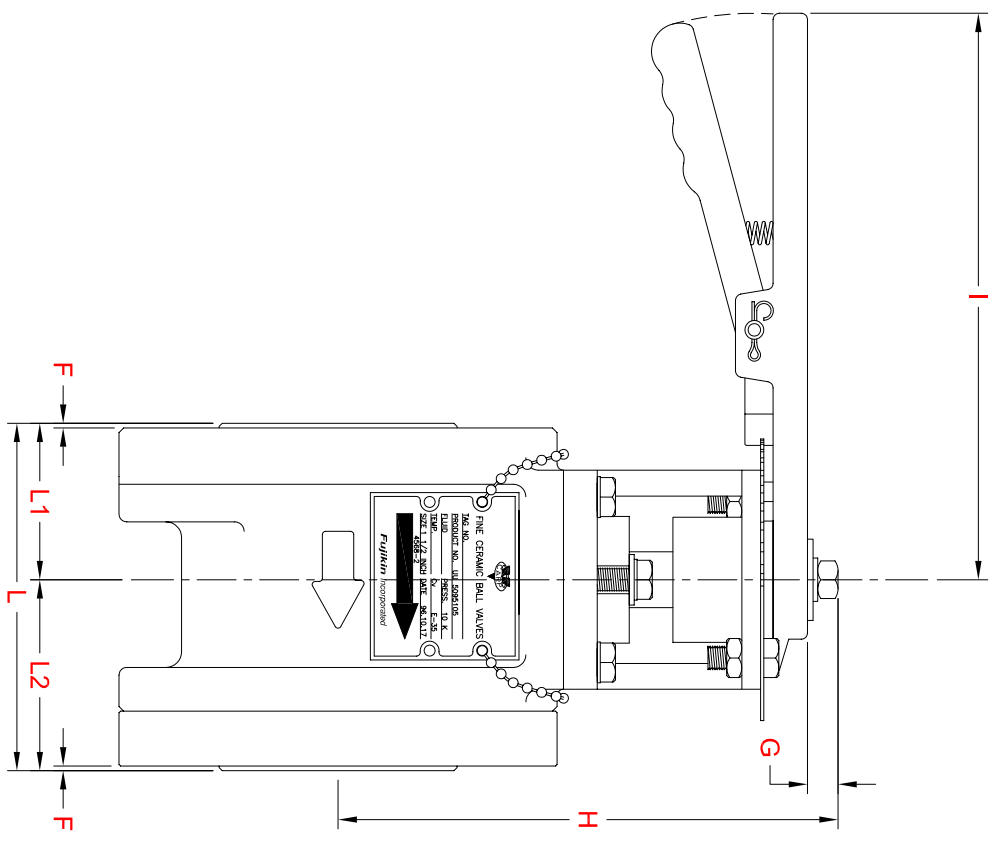


**REVISIONS**

SNK	DESCRIPTION	DATE	BY
A	FOR REVIEW ONLY	2/2/98	DLT



Dimensions in inches

Valve Size	ØA	ØB	ØC	ØD	F	G	H	I	L	L1	L2	Q (QTY)	N
½"	0.47	1.57	2.38	3.74	0.04	0.28	4.10	5.91	2.80	1.30	1.50	4	UNC 1/2"
¾"	0.67	1.89	2.75	3.94	0.04	0.28	4.22	5.91	3.13	1.38	1.75	4	UNC 1/2"
1"	0.91	2.20	3.12	4.92	0.06	0.28	5.48	5.91	3.35	1.54	1.81	4	UNC 1/2"
1½"	1.42	2.99	3.88	5.51	0.06	0.36	6.19	7.09	4.37	1.97	2.40	4	UNC 1/2"
2"	1.73	3.70	4.75	6.10	0.06	0.36	6.46	7.09	4.72	2.24	2.48	4	UNC 5/8"
2½"	2.20	4.09	5.51	6.89	0.06	0.36	6.78	7.09	5.51	2.64	2.87	4	UNC 5/8"
3"	2.83	4.88	6.00	7.83	0.06	0.36	7.01	7.09	6.48	3.15	3.33	4	UNC 5/8"

**COSMIX BALL VALVE SERIES**

Dimensional Drawing for ½" to 8"  
Cosmix Ball Valves With Handle

SCALE: None	DATE: 2/12/98	DESIGNER: DLT
CUSTOMER: FUJIKIN/MANUAL	PROJECT: 00000000	
<b>Fujikin of America, Inc.</b> Tel: (201)641-1719		
4 Aislen Way, Little Ferry, NJ 07643 Fax: (201)641-1737		
This drawing is the property of Fujikin of America, Inc. The information contained herein is confidential and is not to be distributed without the written permission of Fujikin of America, Inc.		
DRAWING NUMBER: C24301A	PROJECT NUMBER: CBVIII-2150-X-MAN	